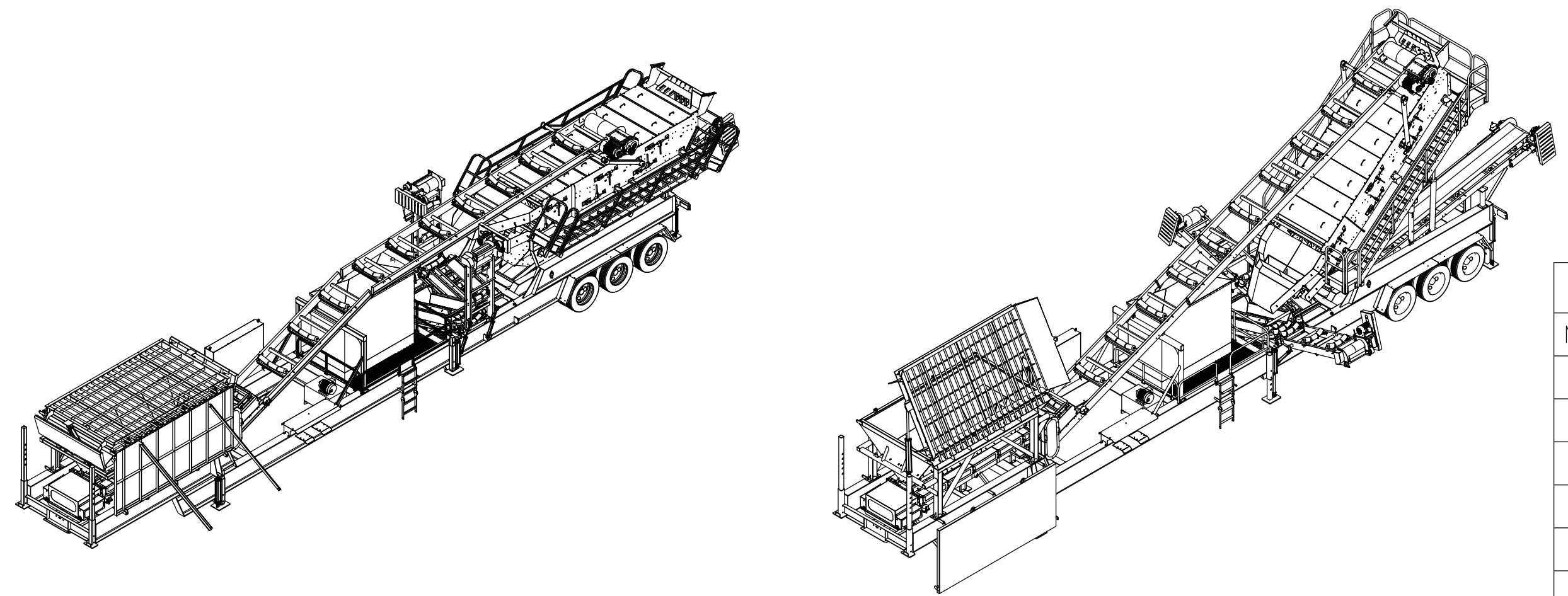



PLANT INFO
 BIN CAPACITY- 13 Cu. Yrd. (8'X14')
 BIN CONVEYOR- 36" X 15'- TA5/ 15 H.P.
 FEED CONVEYOR- 36" X 51'- TA4/ 15 H.P.
 CROSS CONV. (x2)- 24" X 14'- TA1/ 5 H.P.
 FINES CONVEYOR- 30" X 25'- TA2/ 7.5 H.P.

SHIPPING WEIGHTS
 KINGPIN-#s
 AXLE-#s (F/M/R)
 TOTAL-#s



REVISIONS		
NO.	DATE	BY
1	5/17/16	BOB
2		
3		
4		
5		
6		
7		



TCI
Manufacturing & Equipment Sales

TCI MANUFACTURING AND EQUIPMENT SALES, INC.
 P.O. BOX 306 WALNUT, IL 61376
 PHONE: (815) 379-2090
 E-MAIL: ENGINEERING@TCIMFG.COM
 FAX: (815) 379-2690

This drawing and its contents are the property of TCI Manufacturing and Equipment, Inc., issued in strict confidence and shall not, without written permission of the above stated company, be reproduced, copied, or used for any purpose whatsoever except the manufacture of articles for TCI Manufacturing and Equipment, Inc. This drawing is loaned and subject to return upon demand.

SCALE: 5/8" = 1'-0"	TITLE: TCI PORTABLE SCREEN & BIN (PSB)
DATE: 3/18/16	PSB GENERAL ARRANGEMENT
DRAWN BY: BOB	CHK'D BY:
	SHEET 1 OF 1 DWG #: PSB-000 SIZE D