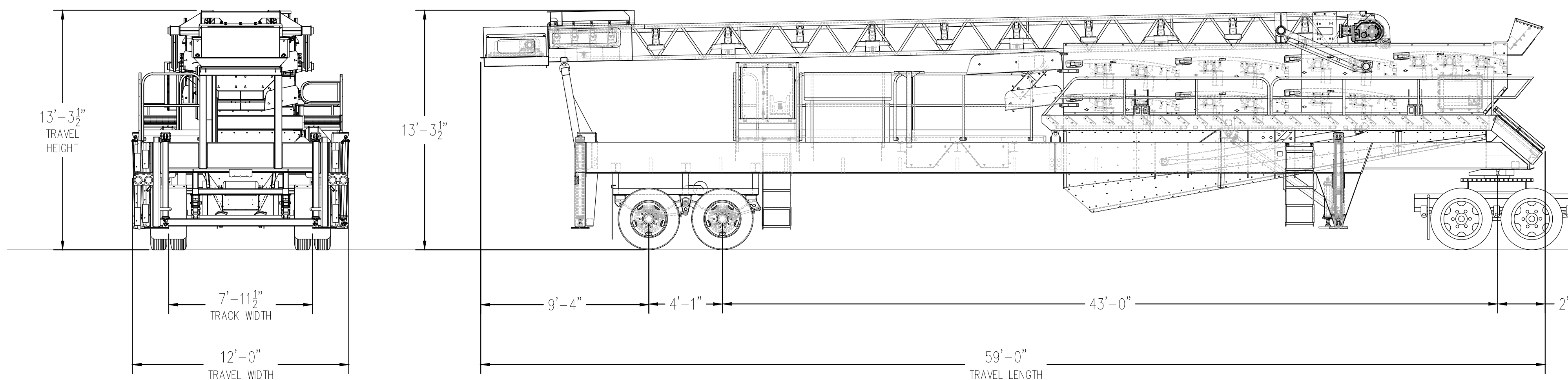
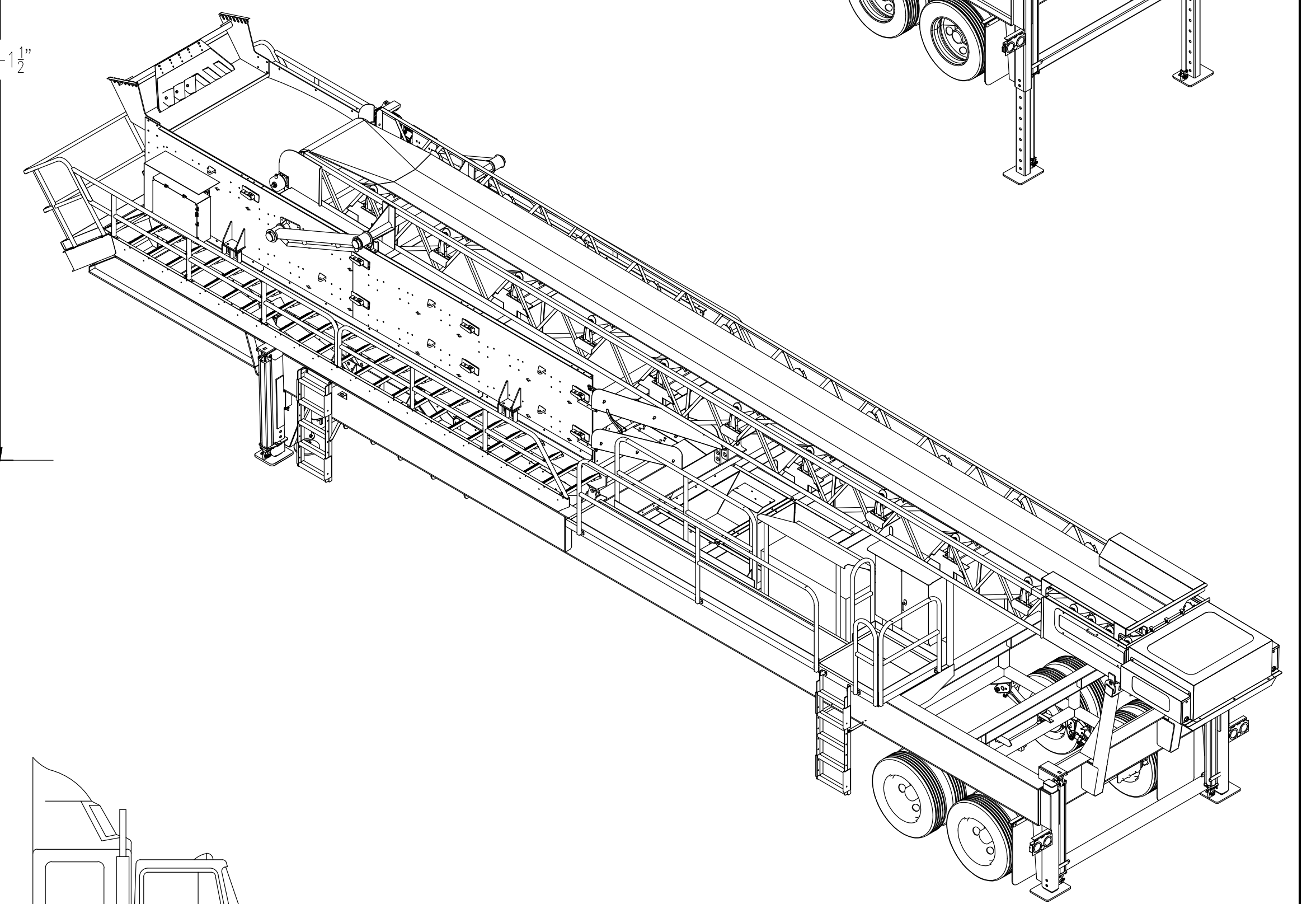
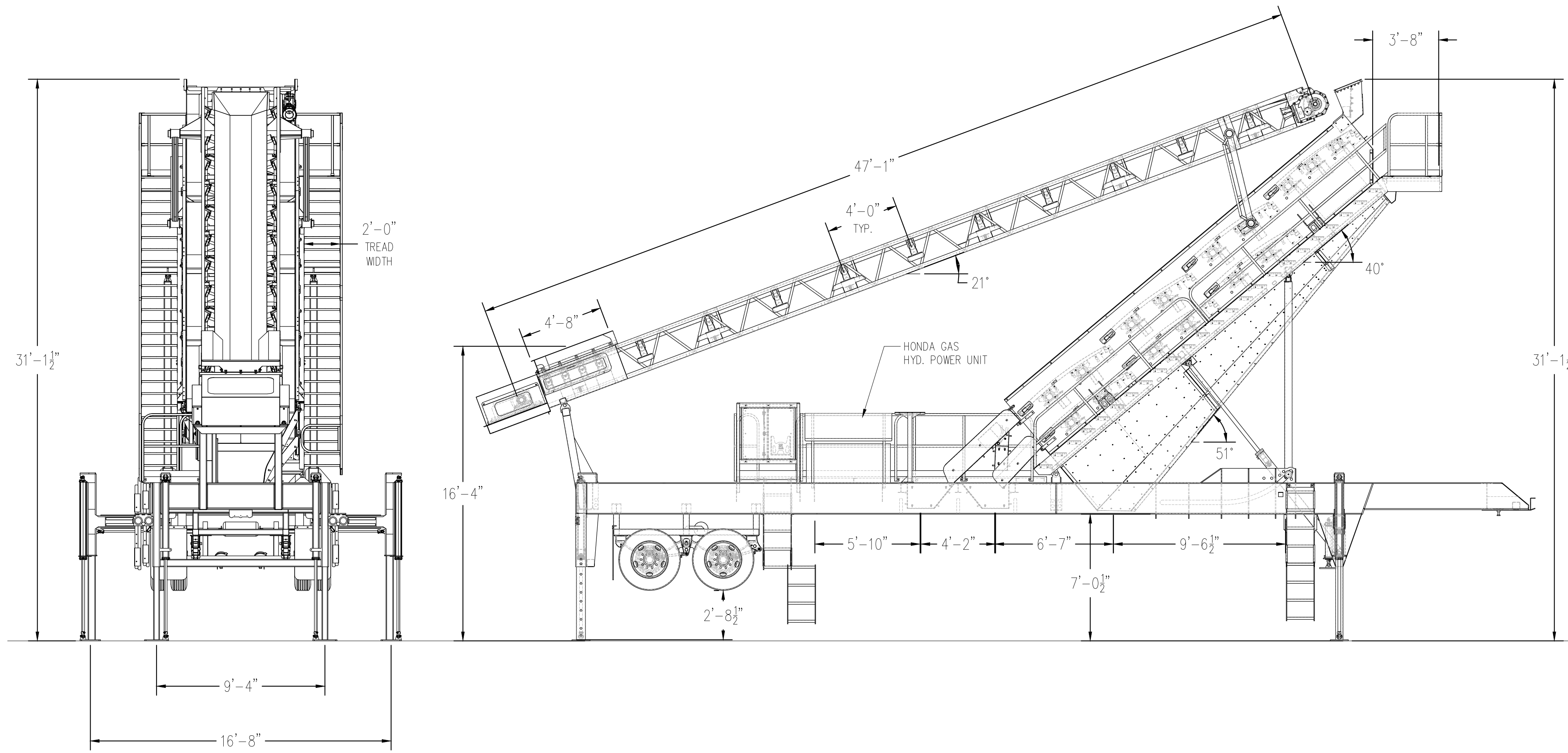
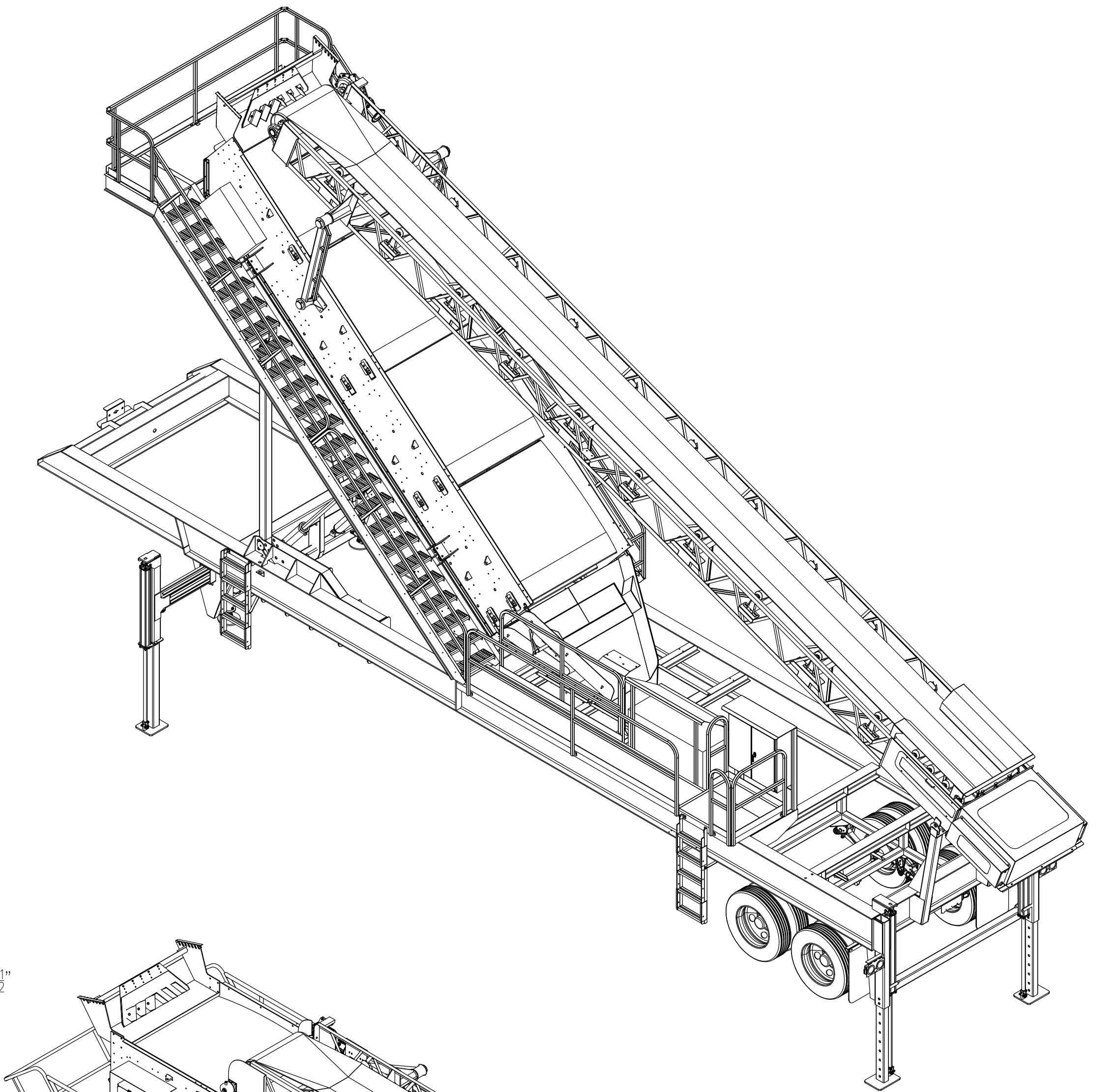
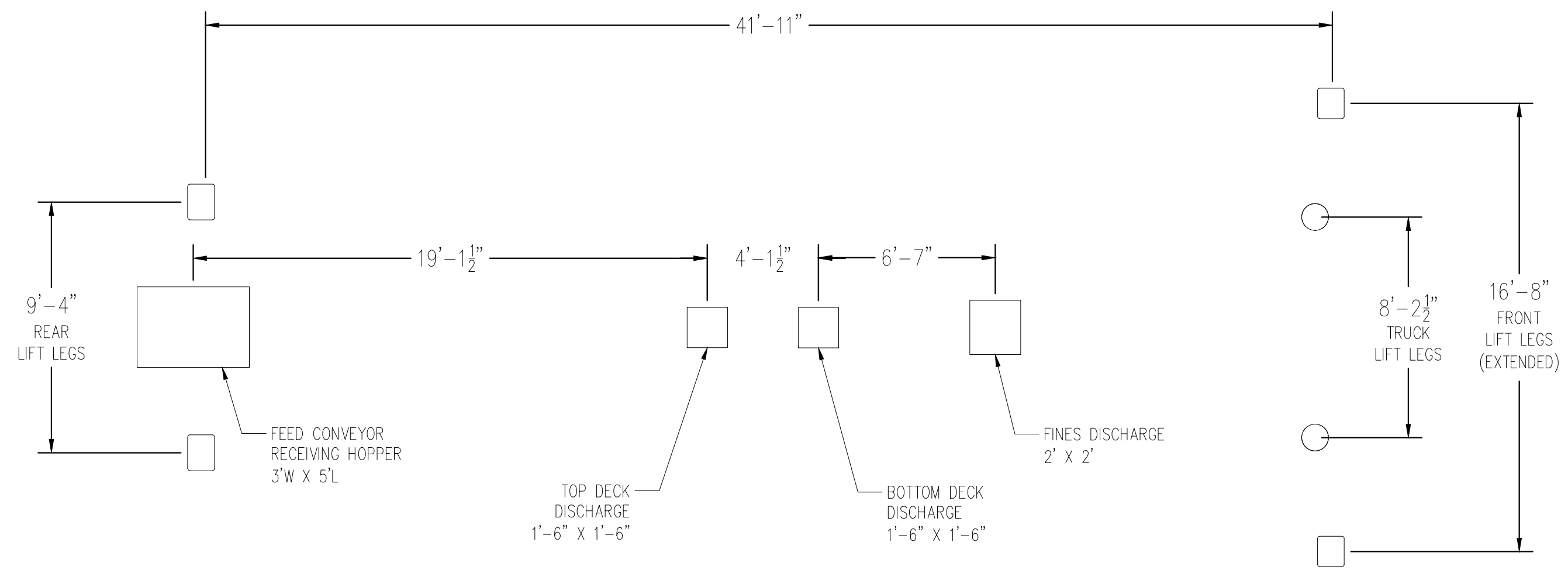



**TRAVEL DIMENSIONS**

Length: 59'-0"  
Width: 12'-0"  
Height: 13'- 3½"

**TRAVEL WEIGHTS**

5th Wheel: 21,819#s  
Axle: 24,750 #s  
Total: 46,570#s



REVISIONS				TCI MANUFACTURING AND EQUIPMENT SALES, INC. P.O. BOX 306 WALNUT, IL 61376 PHONE: (815) 379-2090 E-MAIL: ENGINEERING@TCMFG.COM FAX: (815) 379-2690
NO.	DATE	BY		
1				This drawing and its contents are the property of TCI Manufacturing and Equipment, Inc., issued in strict confidence and shall not, without written permission of the above stated company, be reproduced, copied, or used for any purpose whatsoever except the manufacture of articles for TCI Manufacturing and Equipment, Inc. This drawing is loaned and subject to return upon demand.
2				
3				
4				
5			SCALE: 1/4" = 1'-0"	
6			DATE: 2/18/15	
7			DRAWN BY: BOB	

TITLE:	TCI 6 X 24 DD PTSC SALE/SHIPPING DRAWING
CHK'D BY:	SHEET 1 OF 1
DWG #:	624PTSC-00-A
SIZE:	D