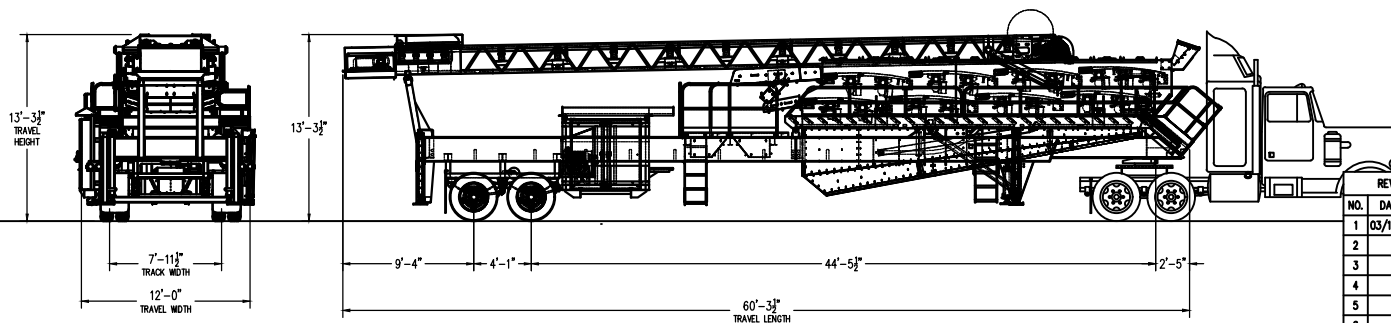
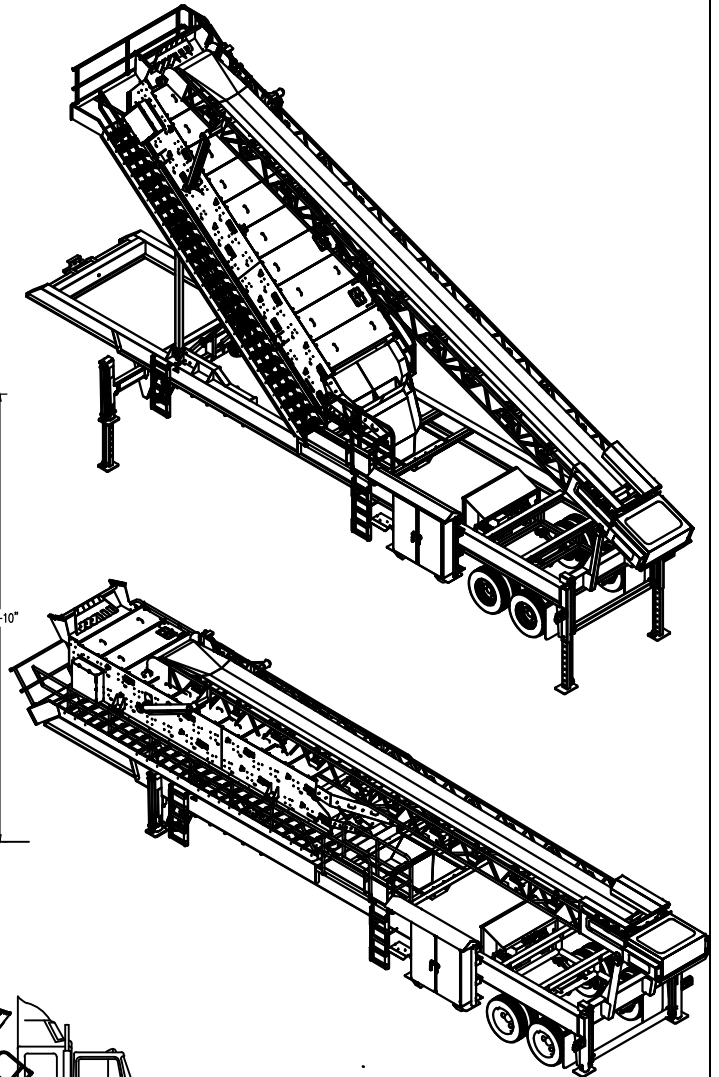
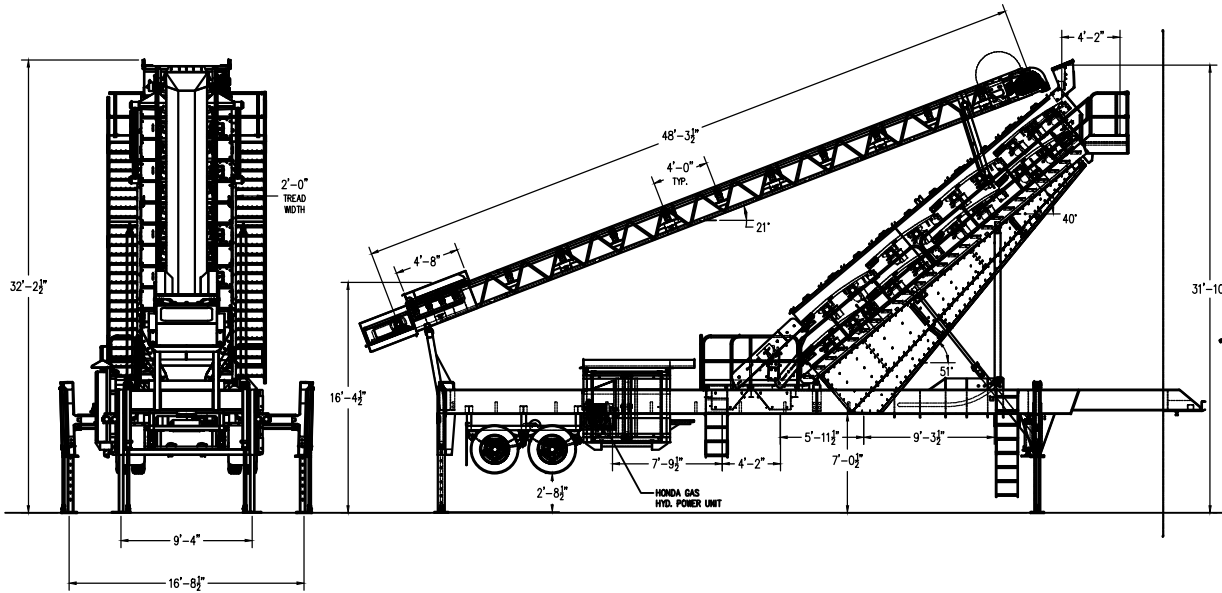
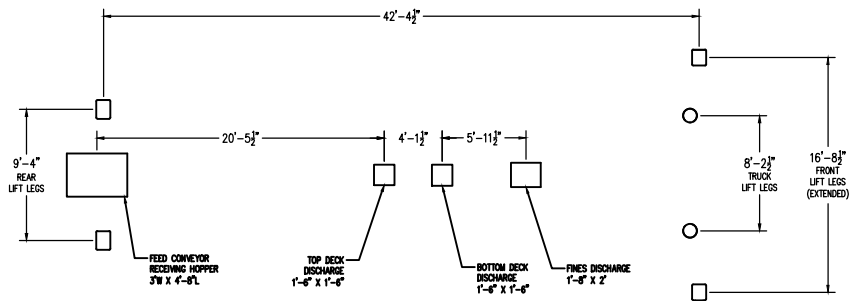


TRAVEL DIMENSIONS

Length: 59'-0"
Width: 12'-0"
Height: 13'-3½"

TRAVEL WEIGHTS

5th Wheel: 24,900#s
Axle: 24,650 #s
Total: 49,550#s



DRAWINGS ARE SHOWN FOR INFORMATIONAL PURPOSES ONLY, AND MAY NOT REPRESENT THE OPTIONS SELECTED OR AVAILABLE ON THE EQUIPMENT. SPECIFICATIONS ARE SUBJECT TO CHANGE WITHOUT NOTICE.

TCI
Manufacturing & Equipment Sales
TCI MANUFACTURING AND EQUIPMENT SALES, INC.
P.O. BOX 306 WALMUT, IL 61378
PHONE: (815) 379-2090
E-MAIL: ENGINEERING@TCMFG.COM
FAX: (815) 379-2680

This drawing and its contents are the property of TCI Manufacturing and Equipment, Inc. Issued in strict confidence and shall not, without written permission of the above named company, be reproduced, copied, or used for any purpose whatsoever except the manufacture of articles for TCI Manufacturing and Equipment, Inc. This drawing is loaned and subject to return upon demand.

SCALE: 1/4" = 1'-0" TITLE: TCI 6 X 24 DD PTSC
DATE: 02/08/16 SALE/SHIPPING DRAWING
DRAWN BY: TAW CHK'D BY: SHEET 1 OF 1 DWG #: 62#PTSC-00-A SIZE: D

REVISIONS		
NO.	DATE	BY
1	03/19/21	CLA
2		
3		
4		
5		
6		
7		